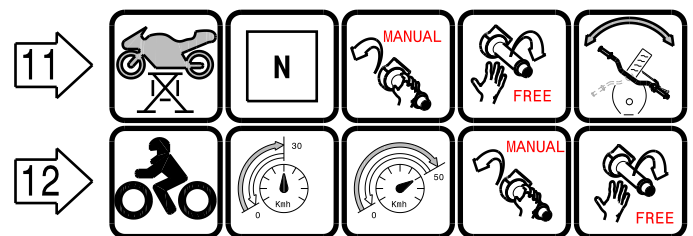
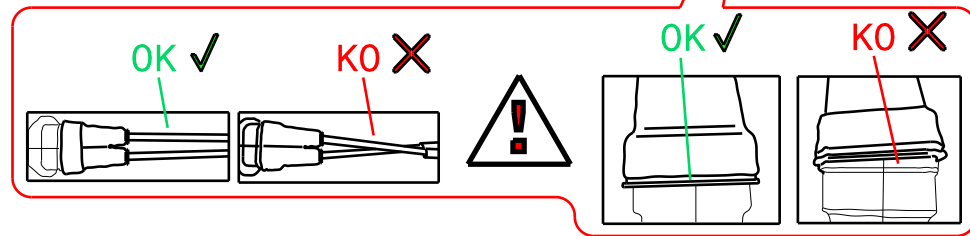
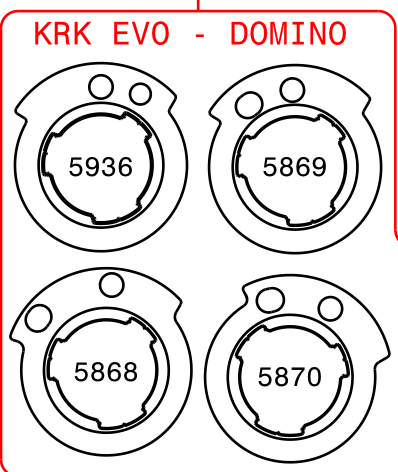
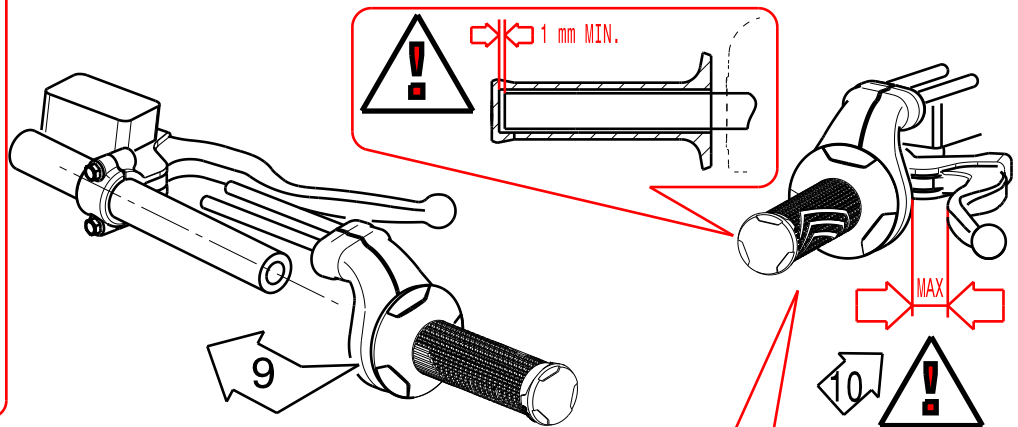
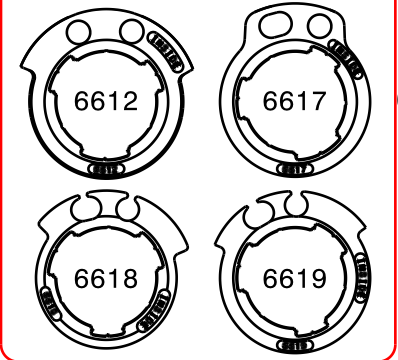
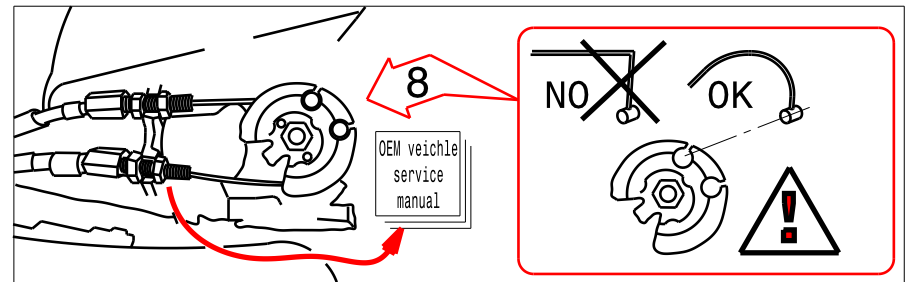
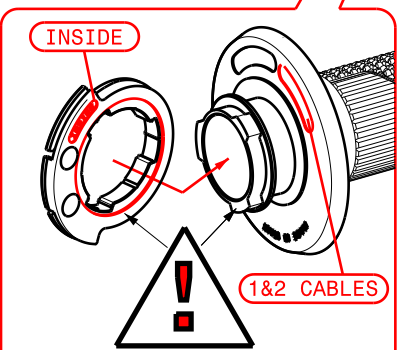
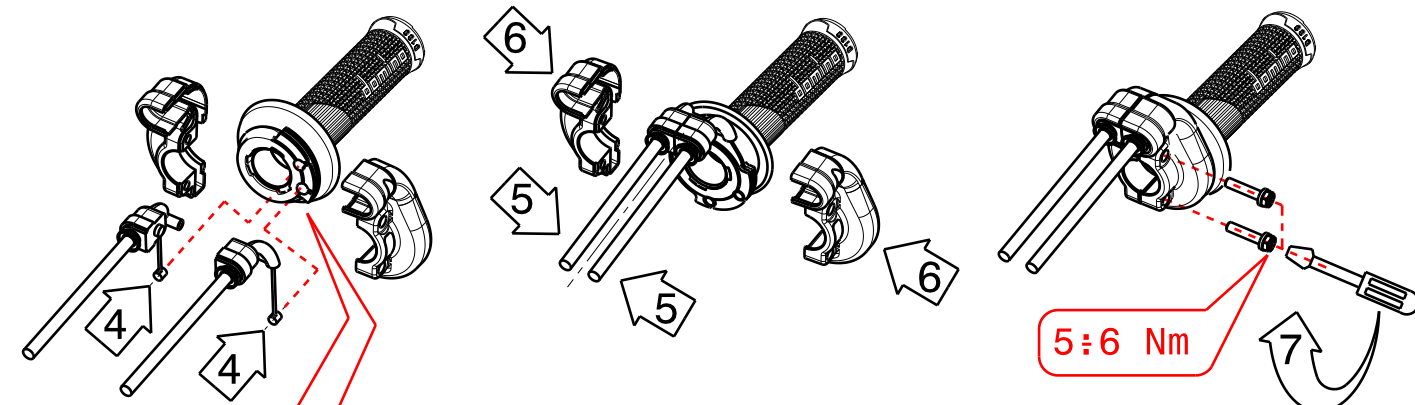
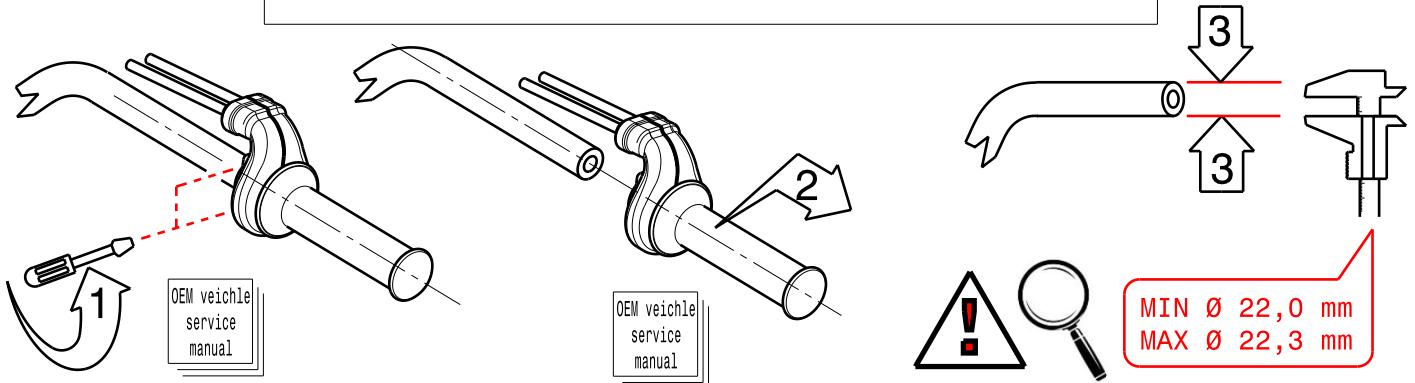
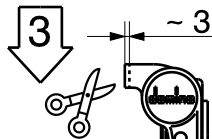
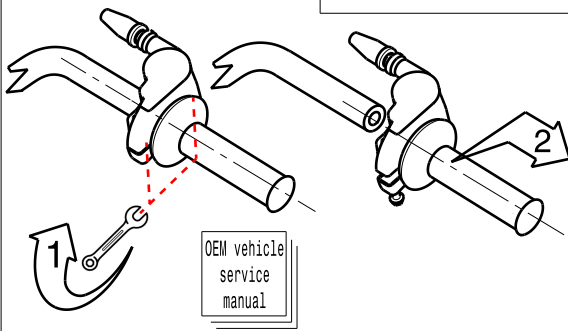


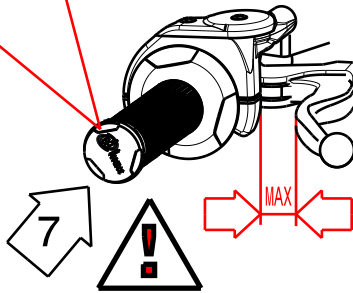
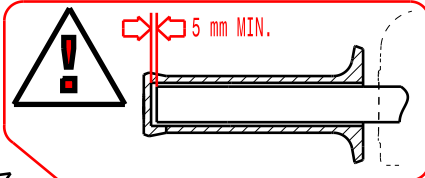
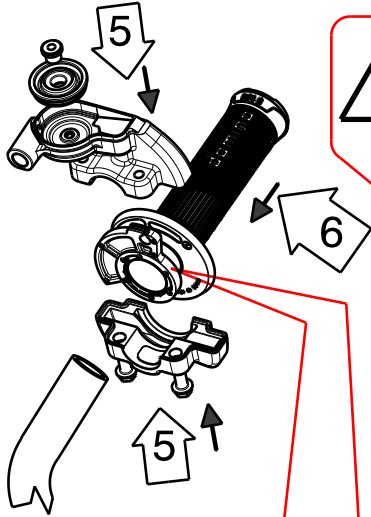
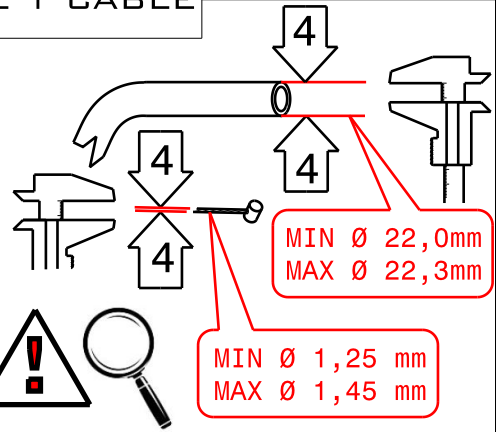
KRK EVO - THROTTLE CONTROL 2 CABLES



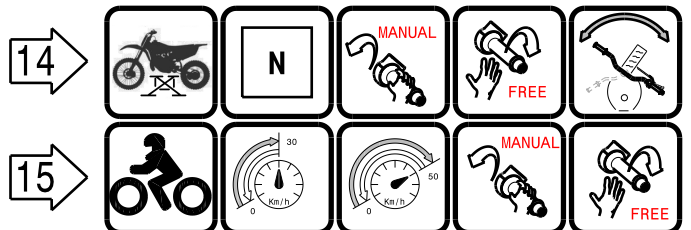
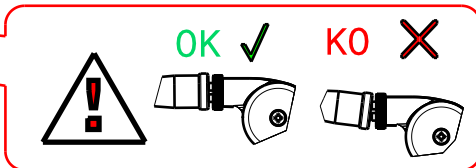
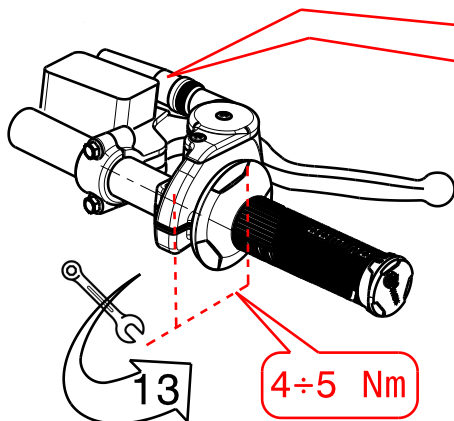
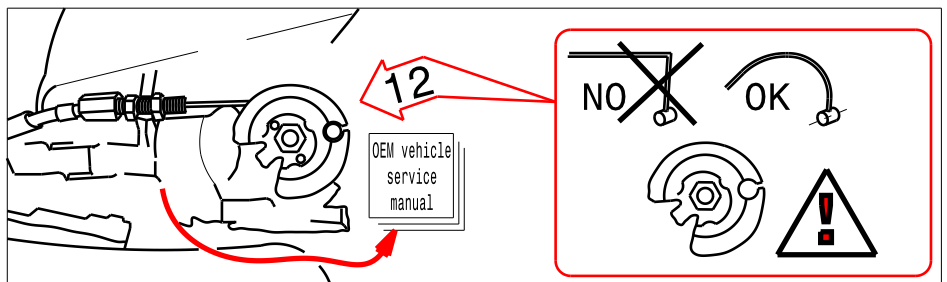
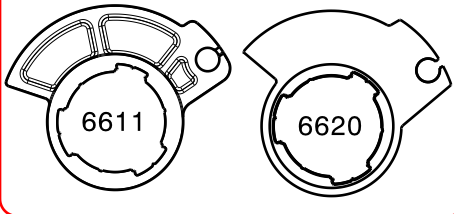
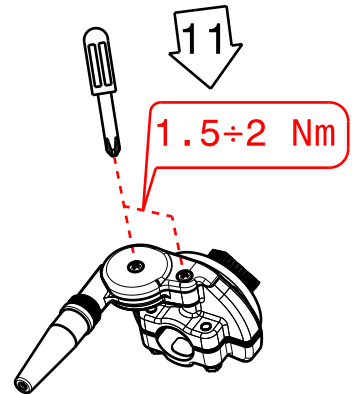
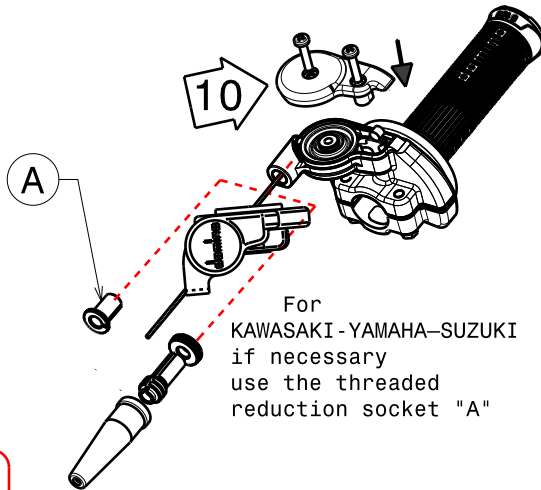
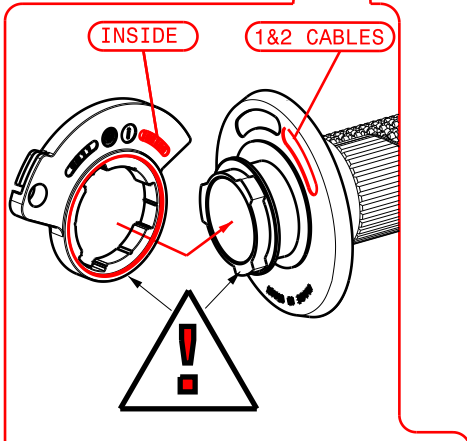
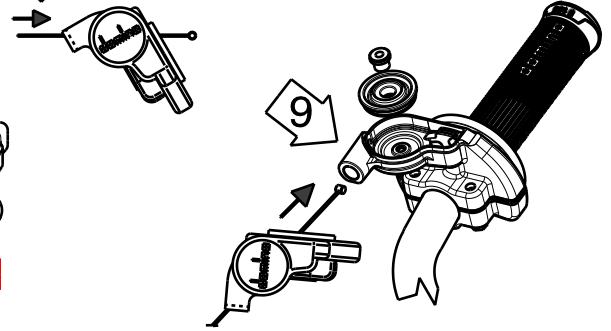
HR CROSS THROTTLE CONTROL 1 CABLE

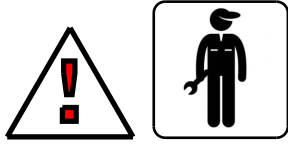


COPRIGAS Throttle cover
For
- KAWASAKI
- YAMAHA
- SUZUKI
cut to the indicated length

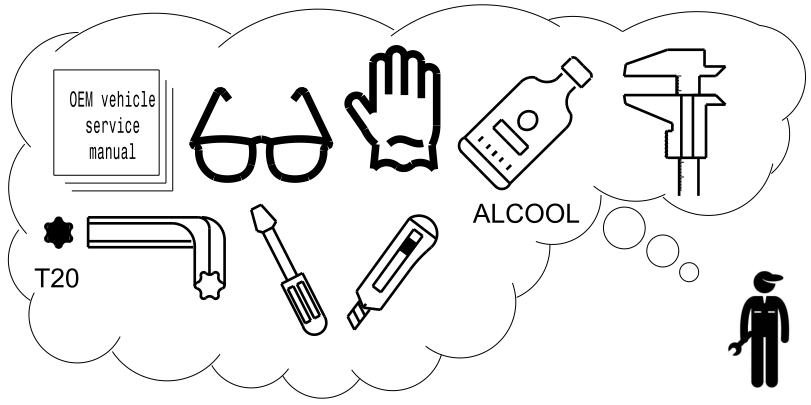


8 COPRIGAS - Throttle cover
Put the throttle cable through in

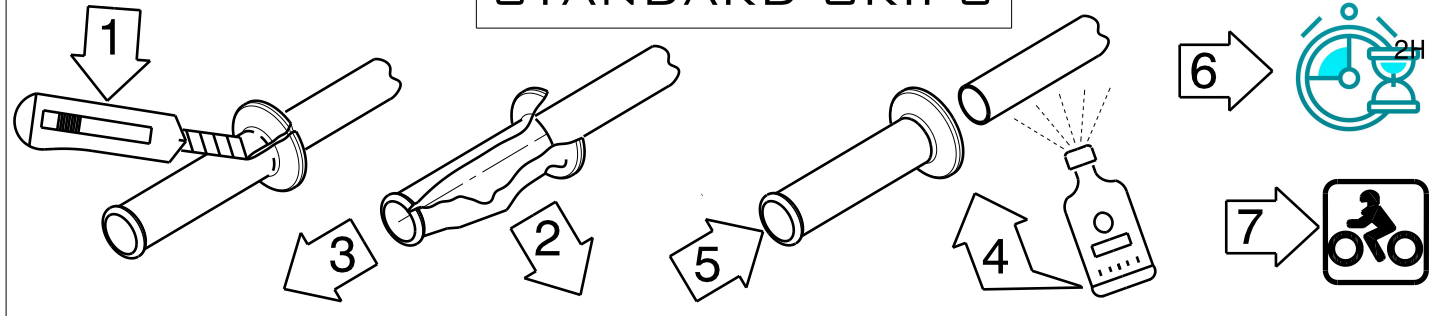




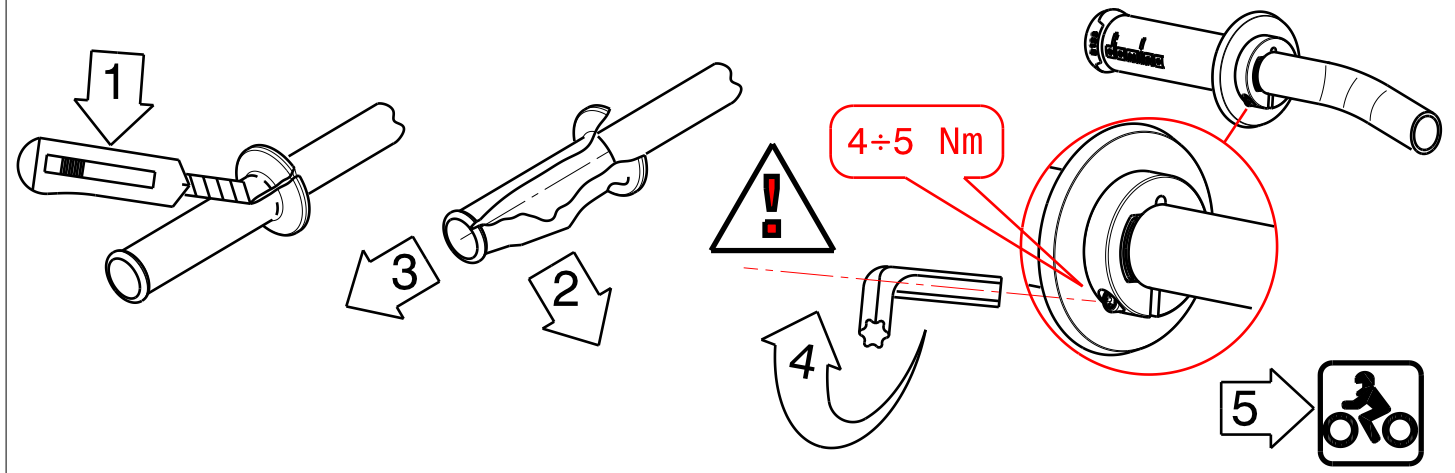
ONLY FOR PROFESSIONAL FITTING



STANDARD GRIPS



D-LOCK SYSTEMS - LEFT GRIP



CAM APPLICATION LIST - D-LOCK SYSTEMS

IF NOT INCLUDED, CAMS CAN BE PURCHASED SEPARATELY



SCAN THE QR CODE FOR LIST AND MORE INFO



MAINTENANCE

OK SPONGE + CAR SOAP	 NO! WATER JET	 NO! SOLVENT...	CRASH →
-------------------------	-------------------------------	--------------------------------	---------

